

R-AS-10 CAMBRO

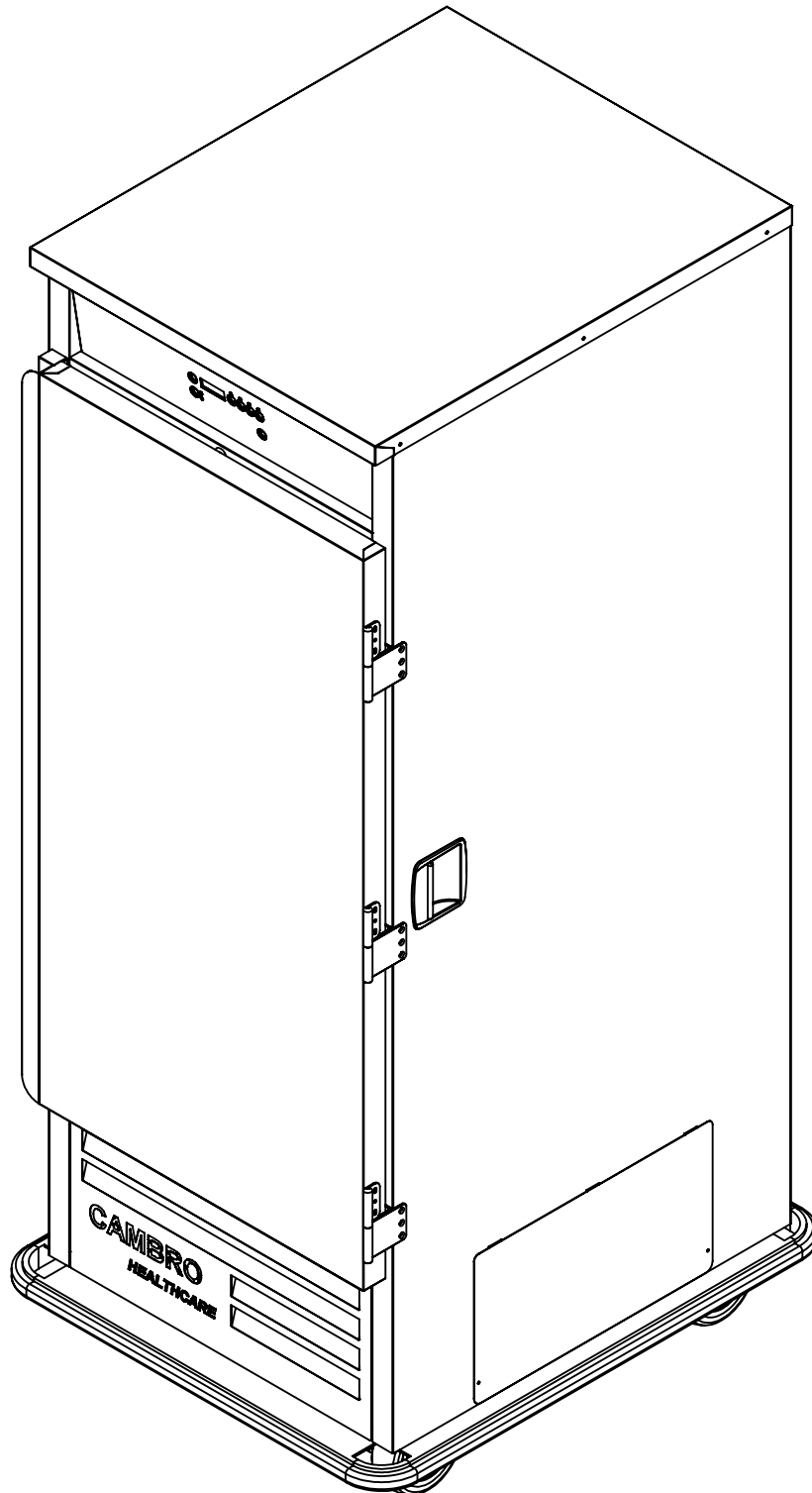
Pg.1 . TITLE PAGE

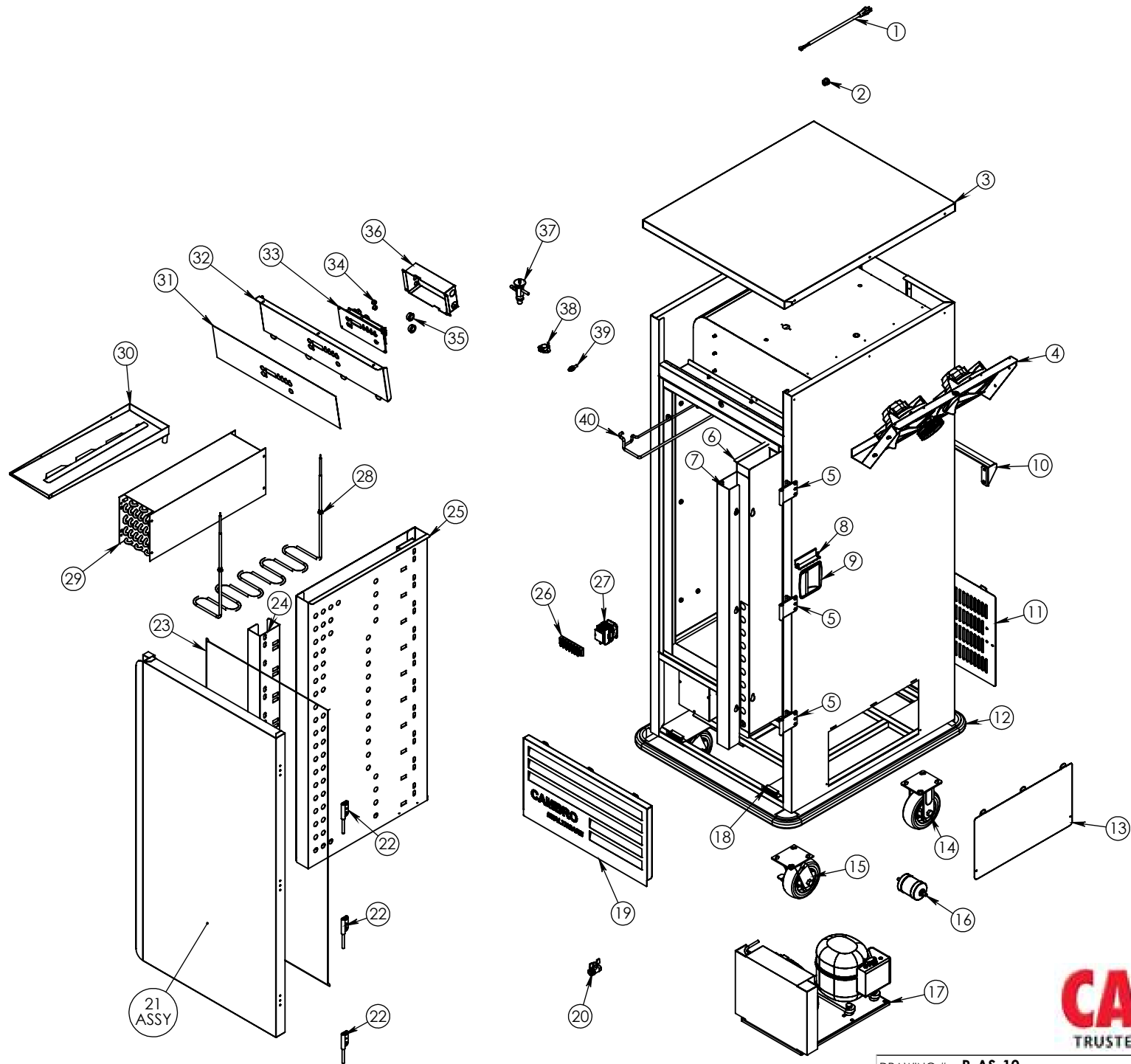
Pg.4. Z-600-6256 (EXPLODED)

Pg.2 . R-AS-10

Pg.5. COND-UNIT-R-448

Pg.3 . R-AS-10 BOM





CAMBRO
TRUSTED FOR GENERATIONS™

DRAWING #: R-AS-10	
DESCRIPTION: AIR SCREEN REFRIGERATOR	
DRAWN BY: AL	LAST SAVED BY: andrew82

ITEM NO.	QTY.	PART NO.	DESCRIPTION
1	1	CRDSET10-115	CORD 12' 115V 5-15P 14GA 3WR 15AMP
2	1	BSH STRN 3	STRAIN RELIEF FOR 15 AMP CORD
3	1	26154	OUTSIDE TOP
4	1	Z-600-6256 (SEE PAGE. 4)	BLOWER FAN 8" ASSY
5	3	HNG REFRIG	UNIT HINGE
6	1	Z-600-7108	RETURN TUNNEL ASSY
7	1	84685	UPRIGHT RIGHT
8	2	HDL-PLASTIC 4.75 CVR	COVER PLATE FOR HDL-PLASTIC 4.75
9	2	HDL-PLASTIC 4.75	INJECTION MODLED BLK PLASTIC HANDLE
10	1	Z-600-1062	TUBULAR HANDLE ASSEMBLY 23"
11	1	55746	REAR GRILL PANEL WITH TABS
12	1	Z-200-1031	BUMPER ASSEMBLY
13	2	80306	SIDE ACCESS COVER
14	2	CSTR 62-R-PPF	CASTER 6" RIGID EZ ROLL POLY
15	2	CSTR 62-SB-PPF	CASTER 6" SWIVEL BRAKE EZ ROLL POLY
16	1	FLTR-DRY-BRZ	FILTER DRIER-1/4 ODF SOLDER C-082-S
17	1	COND-UNIT-R-448 (SEE PAGE. 5)	CONDENSING UNIT 120V 448A 1/2HP
18	2	CATCH MAGNETIC	MAGNETIC CATCH
19	1	85030	CAMBRO FRONT LOUVER PANEL
20	1	VLV SHUT OFF PHTT	MINI CHROME PLATED BRASS VALVE
21	1	Z-301-5504 (INCLUDES 22,23)	DOOR 3LO/VMWF MDHOL RH
22	3	HNG LO BW-L	HINGE LIFT-OFF BTM WING W/PIN LH
23	1	GSKT-D-48-00X24-75	SILICONE DR GASKET D 48.00X24.75
24	1	84684	UPRIGHT LEFT
25	1	Z-600-7107	SUPPLY TUNNEL ASSY
26	1	TRM BLK RTH	TERMINAL BLOCK -6 POLES
27	1	CONTACT-2 POLE-120V-40AMP	CONTACTOR RELAY 2-POLE 120V 40A
28	1	EL-DFST-AC-1	ELEMENT 750W 120V DEFROST AS
29	1	EVAP AC	EVAPORATOR COIL COATED 6-ROW
30	1	Z-600-7350	EVAP DRAIN PAN ASEMBLY
31	1	CNTRL-PNL-AIRSCREEN-C	OVERLAY FOR AIRSCREEN CAMBRO
32	1	69879	CONTROL PANEL
33	1	CNTRL-REFRIG-6MOD-2	CONTROLLER SLDST HORIZONTAL REF
34	2	BSH-1-2	SNAP-IN WHT SB-500-6
35	2	BSH 1	SNAP IN BLACK SB-1000-12
36	1	81878	CONTROLLER REAR COVER 2"
37	1	VLV-EXP-R3A1-BRZ	THERMAL EXPANSION VALVE
38	1	SNAP DISC	HI-LIMIT CONTROLS LIMIT L150
39	1	SWH MAG REED	MAGNETIC PROXIMITY REED SWITCH 100V
40	20	SLD TS245 - NYLON FINISH	TRAY SLIDE NYLON FINISH 18X26



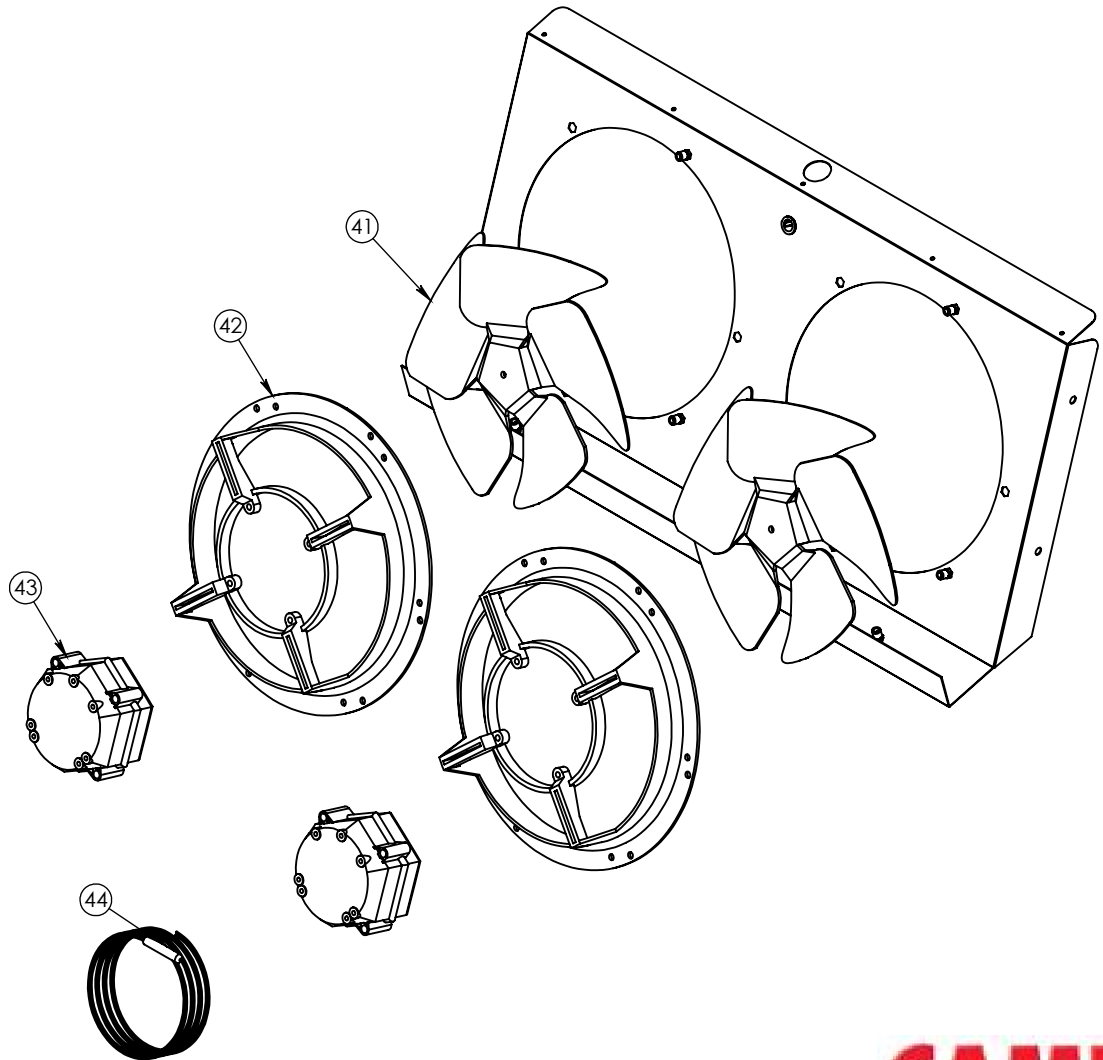
DRAWING #: **R-AS-10**

DESCRIPTION: **UNIVERSAL SERVER**

DRAWN BY: AL

LAST SAVED BY: andrew82

ITEM NO.	QTY.	PART NO.	DESCRIPTION
41	2	BLD FAN 8	FAN BLADE PLASTIC 200MM DIA 28DEG
42	2	FAN BLD RING 8	FAN BLADE RING PLASTIC FIT 200MM
43	2	Z-600-7010	FAN MTR ECM 2300 RPM
44	1	Z-600-3589	F THERMISTOR PROBE AND NYLON CLIP

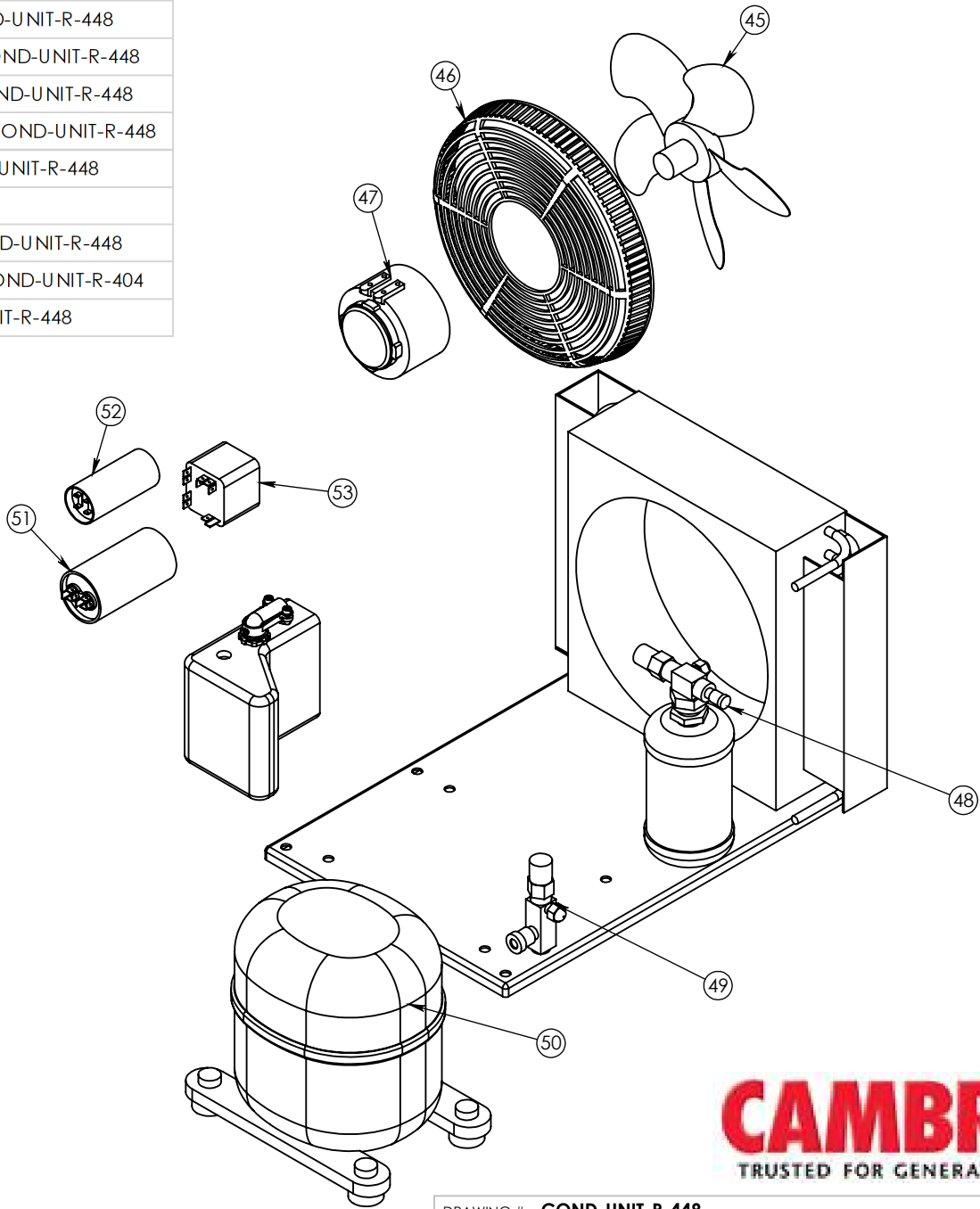


CAMBRO
TRUSTED FOR GENERATIONS™

DRAWING #: **Z-600-6256**

DESCRIPTION: **BLOWER FAN 8" ASSY**

ITEM NO.	QTY.	PART NO.	DESCRIPTION
45	1	COND-UNIT-R-448-FAN BLD	FAN BLADE FOR COND-UNIT-R-448
46	1	COND-UNIT-R-448-FAN SHR	FAN SHROUD FOR COND-UNIT-R-448
47	1	COND-UNIT-R-448-FAN MTR	FAN MOTOR FOR COND-UNIT-R-448
48	1	COND-UNIT-R-448-VLV	SERVICE VALVE FOR COND-UNIT-R-448
49	1	COND-UNIT-R-448-VLV BSE	BASE VLV FOR COND-UNIT-R-448
50	1	COMPR R-448	COMPRESSOR 115V
51	1	COND-UNIT-R-448-OVERLOAD	OVERLOAD FOR COND-UNIT-R-448
52	1	COND-UNIT-R-404-ST-CAP	START CAPACITOR COND-UNIT-R-404
53	1	COND-UNIT-R-448-RELAY	RELAY FOR COND-UNIT-R-448



CAMBRO
TRUSTED FOR GENERATIONS™

DRAWING #: **COND-UNIT-R-448**

DESCRIPTION: **CONDENSING UNIT 120V 448A 1/2HP**

DRAWN BY: A. LINCOLN

LAST SAVED BY: andrew82